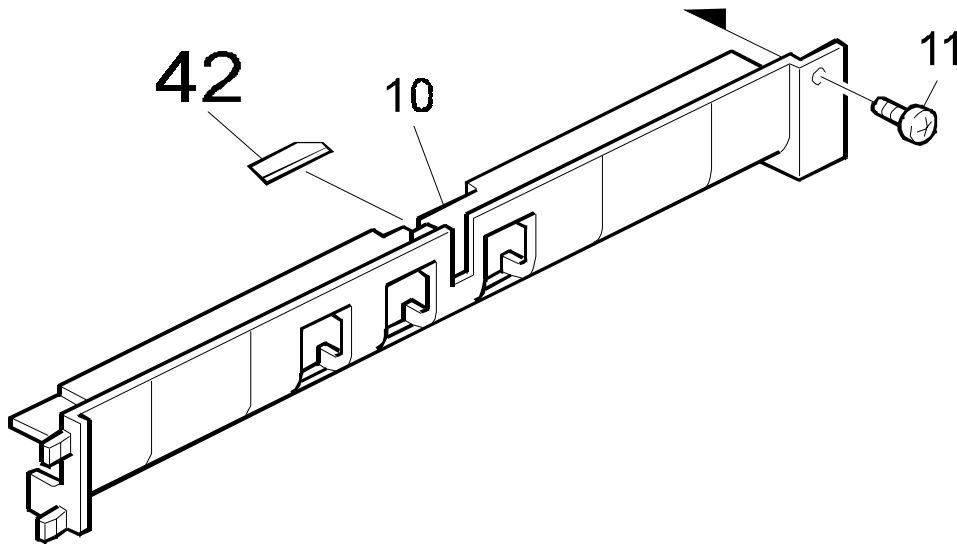


Model: Russian-C LCT (PS420)	Date: 23-Oct-00	No.: MA862001
------------------------------	-----------------	---------------

Modified Article: Feed Mylar		Prepared by: S. Tomoe	
From: Technical Services Dept., GTS Division			
Reason for Modification:	<input checked="" type="checkbox"/> Parts catalog correction	<input type="checkbox"/> Vendor change	<input type="checkbox"/> To meet standards ()
	<input type="checkbox"/> To facilitate assembly	<input type="checkbox"/> To improve reliability	
	<input type="checkbox"/> Part standardization	<input type="checkbox"/> Other	

The following part should be added to the parts catalog.

Old part number	New part number	Description	Q'ty	Int	Page	Index	Note
	A2322766	Feed Mylar	1		5	42	



Model: Russian – C1 LCT		Date: 28-Sep-01	No.: MA862002
Modified Article: Mechanical Parts		Prepared by: S. Tomoe	
From: Technical Services Dept., GTS Division			
Reason for Modification:	<input type="checkbox"/> Parts catalog correction <input type="checkbox"/> To facilitate assembly <input checked="" type="checkbox"/> Part standardization	<input type="checkbox"/> Vendor change <input type="checkbox"/> To improve reliability <input type="checkbox"/> Other	<input type="checkbox"/> To meet standards ()

For purposes of parts standardization, the following have been changed over to non-chrome components currently used on other models.

Old part number	New part number	Description	Q'ty	Int	Page	Index	Note
A8601110	B3841110	Stay – Upper Front	1-1	0/0	3	24	
A8601117	B3841117	Bracket – Upper Right Rear Stay	1-1	0/0	3	6	
A8601120	B3841120	Stay – Front Rear	2-2	0/0	3	3	
A8621089	B3911088	Left Side Rail	1-1	0/0	7	5	
A8621116	B3911116	Stay Upper Rear	1-1	0/0	3	5	
A8621126	B3911126	Switch Bracket	1-1	0/0	13	30	
A8621131	B3911131	Bracket Drawer	1-1	0/0	13	6	
A8622565	B3912565	Guide Plate Vertical Transport	1-1	0/0	3	12	
A8622677	B3912677	Bracket Detector	1-1	0/0	13	32	
A8622810	B3912810	DC Motor Drive	1-1	0/0	13	11	
A8622625	B3912625	Side Plate Front LCT	1-1	0/0	9	10	
A8622631	B3912631	Balancer Tray Bottom Plate	1-1	0/0	9	11	
A8622635	B3912635	Side Plate Rear LCT	1-1	0/0	9	18	
A8622639	B3912639	Bracket Roller Plate	1-1	0/0	9	3	
A8622676	B3912676	Bracket End Fence	1-1	0/0	9	17	
A8622673	B3912673	Stay Timing Belt	1-1	0/0	9	8	
A8622674	B3912674	Stay Timing Belt Rear	1-1	0/0	9	19	
A8622691	B3912691	Bracket Damper	1-1	0/0	9	2	
A8622660	B3912660	Front Side Fence	1-1	0/0	7	17	
A8622665	B3912665	Rear Side Fence	1-1	0/0	7	16	
A8622721	B3912721	Stopper Timing Belt Slider	1-1	0/0	11	9	
A8622722	B3912722	Bracket Photointerrupter	1-1	0/0	11	16	
A8622728	B3912728	Bracket Timing Pulley	1-1	0/0	11	12	
A8622730	B3912730	Side Fence Tandem Tray Front	1-1	0/0	7	18	
A8622736	B3912736	Side Fence Tandem Tray Rear	1-1	0/0	7	14	
A8622737	B3912737	Bracket Feeler Paper Volume Sensor	1-1	0/0	7	11	
A8622741	B3912741	Bracket Motor	1-1	0/0	11	4	
A8622745	B3912745	Bracket Timing Belt	1-1	0/0	11	6	
A8622770	B3912770	Cover Timing Belt	1-1	0/0	7	8	
A8622771	B3912771	Cover Positioning Sensor	1-1	0/0	7	10	
A8622748	B3912748	Paper Feed Unit	1-1	0/0	5	1	
A8622751	B3912751	Housing Paper Feed Unit	1-1	0/0	5	7	
A8622752	B3912752	Guide Plate Housing Paper Feed Unit	1-1	0/0	5	10	
A8622760	B3912760	Stay Feed	1-1	0/0	5	4	
A8622826	B3912826	Stopper Magnetic Clutch	1-1	0/0	13	14	
A8622830	B3912830	Belt Tensioner	1-1	0/0	13	18	
A2677350	B3917350	Dehumidifier (120V)	1-1	0/0	3	31	
A2677363	B3917351	Dehumidifier (230V)	1-1	0/0	3	31	

Model: Russian-C LCT		Date: 28-Sep-01	No.: MA862003
Modified Article: DC Motor		Prepared by: S. Tomoe	
From: Technical Services Dept., GTS Division			
Reason for Modification:	<input type="checkbox"/> Parts catalog correction <input type="checkbox"/> To facilitate assembly <input type="checkbox"/> Part standardization	<input type="checkbox"/> Vendor change <input type="checkbox"/> To improve reliability <input checked="" type="checkbox"/> Other	<input type="checkbox"/> To meet standards ()

The DC Motor has been changed so that the LCT can be installed in the Russian-P2.

Old part number	New part number	Description	Q'ty	Int	Page	Index	Note
AX060184	G5845760	DC Motor – 11.3W	1-1	X/O	13	10	
A8622808	G5392808	DC Motor Drive Ass'y	1-1	X/O	13	35	

RCL (Japan) Production

MODEL NAME	V/Hz	DESTINATION	CODE	SERIAL NO.
PS420	120/60	USA	A862-17	H2800700001
PS420	230/50	Infotec	A862-26	4C30800001
PS420	230/50	Europe	A862-27	H2800900021
PS420	120/60	Lanier, USA	A862-55	L0590070001
PS420	230/50	Lanier, Europe	A862-65	LD590080001